

# SurgicAir Flex

## Framing System

### INSTALLATION, OPERATION & MAINTENANCE

#### Tools and Material (contractor supplied)

1. (2) 8' ladder(s) or scaffolding
2. Oscillating laser level
3. Cordless drill/impact
4. Damp rags
5. Utility knife
6. Pliers with wire cutter
7. #8 self-tapping lath/wafer head screws (½")
8. 12 ga. suspension wire (or approved alternative)  
w/necessary equipment to hang wire.

#### Material (Precision Air supplied)

1. Ceiling framing sections
2. Trim angle (as necessary)
3. 1/8" x 1/2" white gasket tape (horizontal flange)
4. 1/32" x 1/2" white gasket tape (back-to-back "L")

#### Before Installation

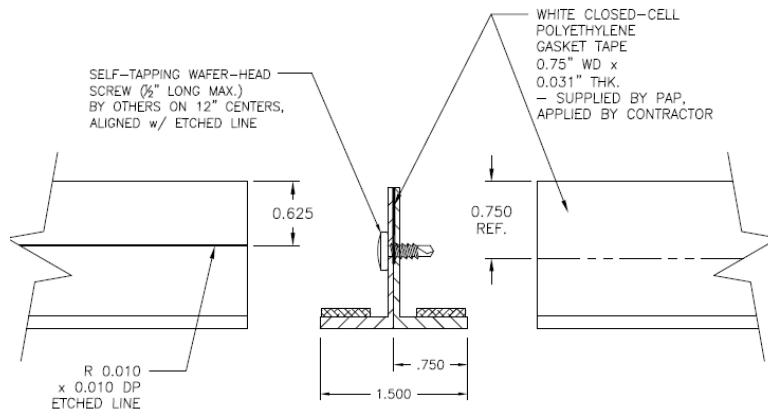
1. Verify ceiling opening for dimensions & square.

#### Preparation

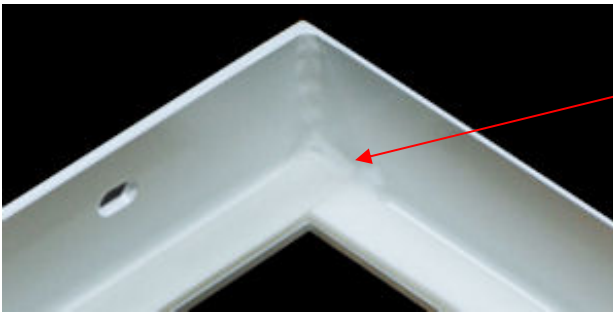
1. Unpack & inspect grid framing sections for damage during shipment – if damaged, DO NOT INSTALL. Contact Precision Air Products for replacement.  
**NOTE: DO NOT remove the blue protective tape from the framing until later.**
2. Attach lengths of 12 ga. suspension wire to the slab or structural steel above the ceiling, using the submittal drawings to locate the grid attachment points. The spacing of the attachment points should be no more than 24" apart and should support a minimum of 10 lbs per square foot of grid.

#### Framing Assembly/Installation

1. Lay out the ceiling grid components on the floor directly beneath the ceiling opening. Arrange the framing sections as shown on the submittal drawings. Make sure the floor is clean to protect the grid's finish.
2. Wipe down surface of back-to-back "L" angle frames with a damp cloth to accept 1/32" gasket tape. Apply gasket tape to one side of back-to-back "L" angle frame.
  - a. Connect the grid sections that have back-to-back "L" angle frames with ½" self-drilling screw (contractor provided) at etched line. Make sure grid sections are flush at the face and butt together with no gaps at the joints.  
**NOTE: DO NOT allow blue protective tape to get caught in between "L" angles. You will not be able to remove it later.**

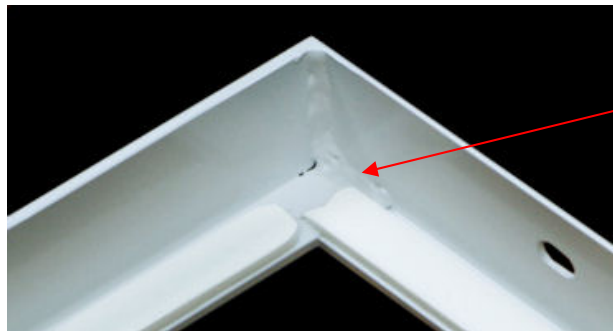


- Wipe down the tops of the horizontal flanges to provide a clean surface for the gasket tape. Measure, cut and install sections of gasket tape on the top side of each horizontal flange of the grid. The tape edge should be installed as close to the edge of the flange as possible **without** hanging over and should be cut in the corners such that the tape on one side is aligned tight against the other.



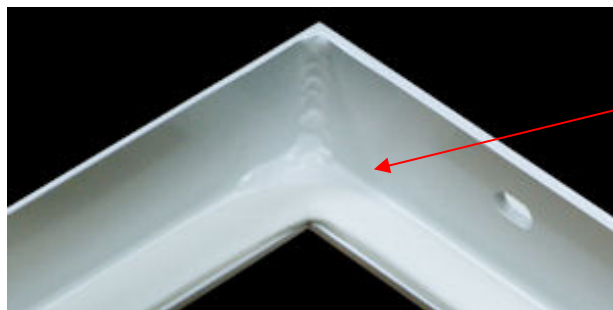
### CONFORMANCE

- clean cut
- no gap between gasket
- gasket not stretched
- excellent seal
- gasket tape flush to edge



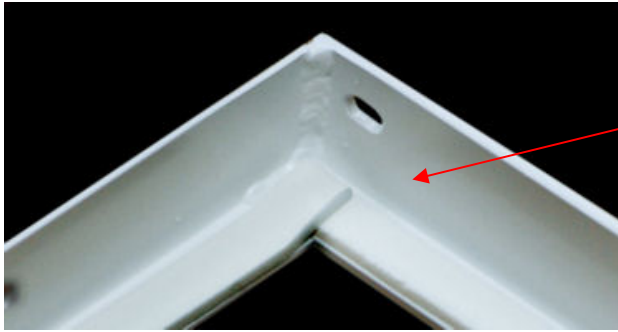
### NON-CONFORMANCE

- torn edges
- gaps between gasket
- no seal



### NON-CONFORMANCE

- gasket stretched around corner
- diffuser or panel will not sit flush
- poor seal



### NON-CONFORMANCE

- gasket overlapped
- leaves gaps for contaminants
- poor seal

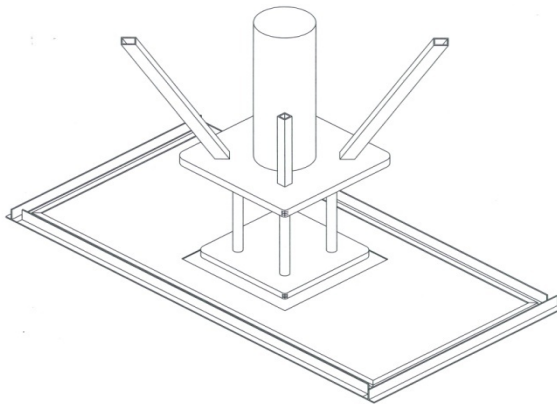
4. Raise the assembled grid into the ceiling opening, supporting it temporarily at a few points with the suspension wire. Lift in several places to help balance the grid and minimize bending. **Use care when handling the assembled grid, to avoid scratching the finish.**

5. Center the grid in the ceiling opening and secure it in place with the suspension wires. Snug the perimeter sections up against the ceiling first; then, working inward, level and secure the center sections.

**NOTE:** Check the grid for level from side to side and corner to corner. It may be necessary to pull down on the grid at the attachment points to remove any slack in the wire and to minimize settling once the diffusers, lights and fill-in panels are in place.

6. Locate the fill-in panels that will require a clearance hole for the equipment support hardware. Determine the required size, shape, and position of each clearance hole and mark the top side of the fill-in panels for cutting.

**NOTE:** Verify that the hole will be hidden by the boom escutcheon.

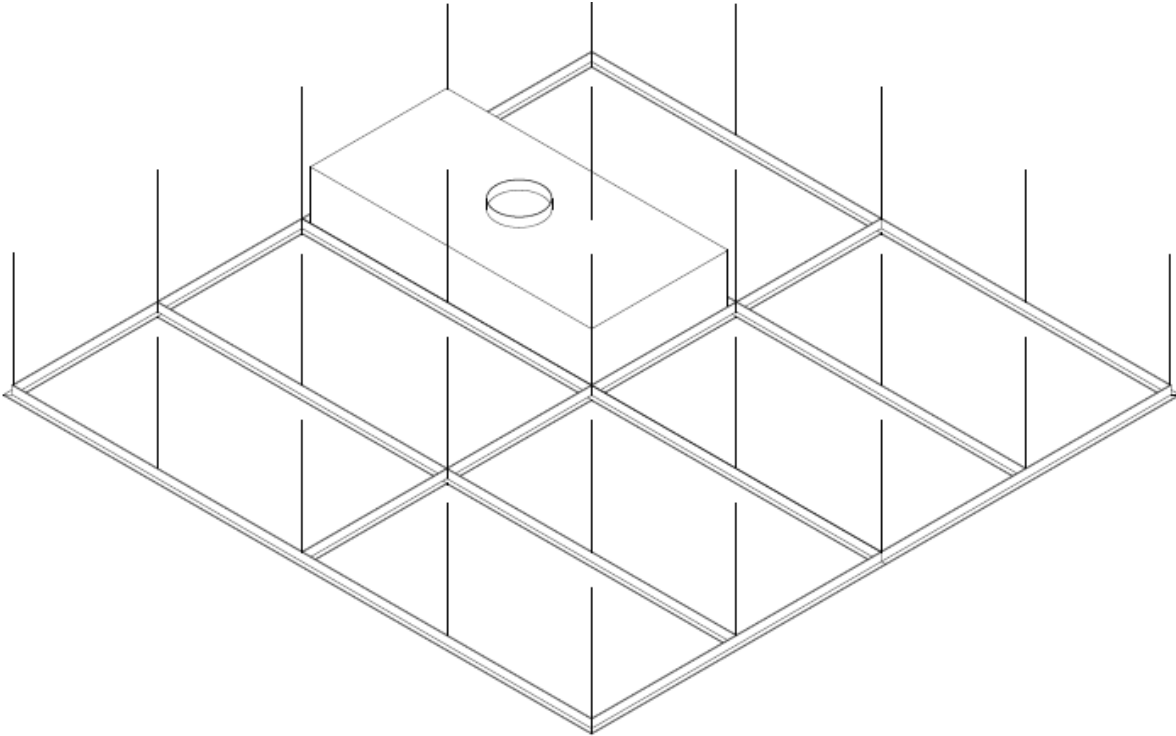


7. Install the cut fill-in panels as shown on the drawings. These fill-in panels are to remain in place during boom installation. The boom mounting hardware is to be installed through the hole in the fill-in panels to give a finished appearance to the grid after installation.

**NOTE:** DO NOT CUT FILL-IN PANELS IN HALF. Fill-in panels MUST be cut out and installed prior to boom installation. Failure to do so will result in an “unsealed” connection.

8. Install the diffusers per separate PAP diffuser installation instructions.

9. Install the remaining fill-in panels as shown on the drawings.



Final assembly.